

# Technische Dokumentation Technical Documentation



## **TUFLIN<sup>®</sup>** **Fully Lined Compact Ball Valve – Type R40XL** **For Tankcars and Containers**

### **Design Features & Benefits**

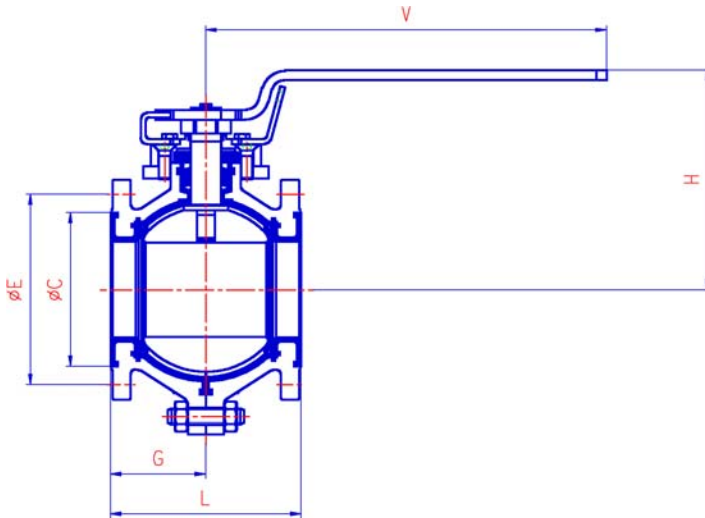
- Short face-to-face dimension
- Super low profile
- Flanges on both sides with through holes acc. to DIN- and ANSI-standards
- Actuator mounting flange acc. to ISO 5211

### **Scope of Supply**

Available sizes: DN 40 / NPS 1½ up to DN 100 / NPS 4

## TUFLIN<sup>®</sup> Fully Lined Compact Ball Valve – Typ R40XL

### Dimensions



DN	H	L	G	ØC	ØE	V	Gewicht in kg Weight in kg	Kv-Werte Kv Values	Drehmomente / Torques
25	91,5	82	41	68	85	160	N/A	N/A	N/A
40	133,5	100	50	90	110	199,5	7,0	184	15,5
50	145,5	110	55	102	125	199,5	10,0	255	31
80	191,1	150	75	138	160	290	21,2	544	68
100	220	190	95	160	180	400	39,0	1207	103

### Part description

Bezeichnung / Part	Anzahl / Qty.	Werkstoff / Material
Gehäuse Body	1	1.4571 / PFA (bis / up to DN 50) 1.4408 / PFA (DN 80 & 100)
Deckel Cover	1	1.4571 (Telerfedern, live-loaded packing)
Dichtgruppe Sealing elements	1	Teflon <sup>®</sup> / Feder 1.4310
Kugel / Schaft Ball / Shaft	1	1.0619QT / CD4MCU / PFA (bis / up to DN 50) EN-JS1049 / 1.4405 / PFA (DN 80 – 100)
Statikeliminator Static eliminator	1	A2
Hebel Lever	1	A2

Weitere Technische Details auf Anfrage.  
More technical details on request.

**CRANE**

A Crane Co. Company



Teflon<sup>®</sup> is a registered Trademark of I. E. du Pont de Nemurs and Company **and is** used under license by XOMOX International GmbH & Co.