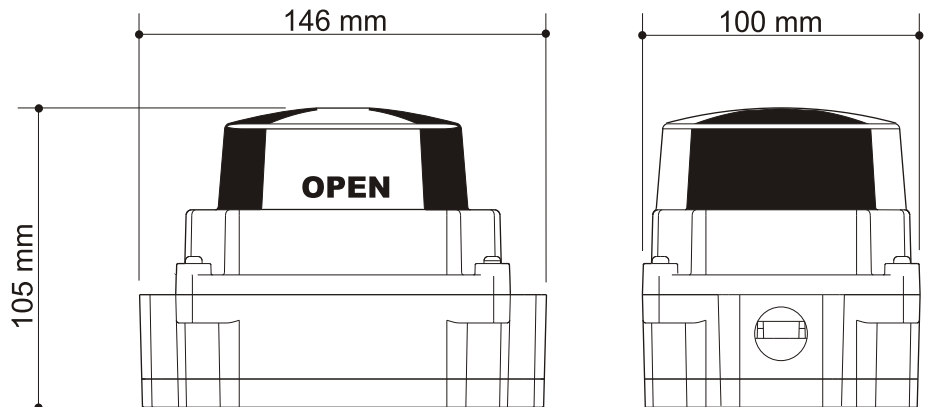


TWISTSET POSITION INDICATOR With P + F SENSORS

Data sheets:

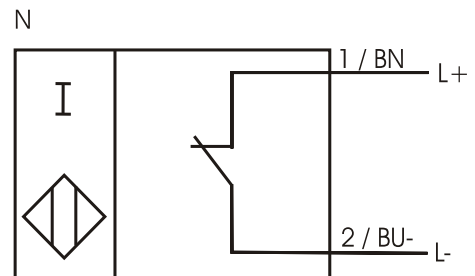


Housing:

Materials: lid - Poly-Carbonate
body - ABS
shaft - Stainless Steel

Electrical Entries: 2 x M20 (PG 13.5 or 1/2" NPT)
Mounting: VDI/VDE3845 (NAMUR)
enclosure IP 67

Standard symbol / connection

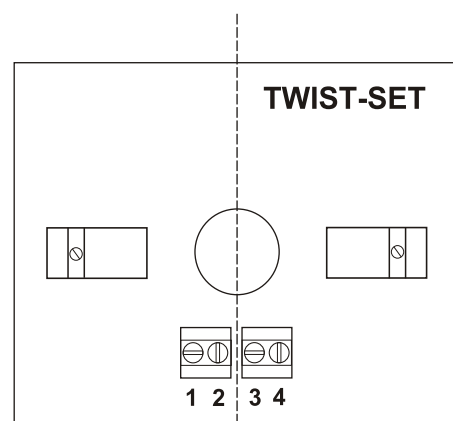


Sensors:

Pepperl + Fuchs type SJ 3.5-N
Nominal voltage [V] 8
Current Consumption:
Sensing face covered [mA] 1
Sensing face free [mA] 3

Model no:
TS P+F SJ 3.5-N.

Sensor Configuration:



TS P+F SJ 3.5-N.

TWISTSET

DRW NO.:

1.206

DATE:

ALL RIGHTS RESERVED ©