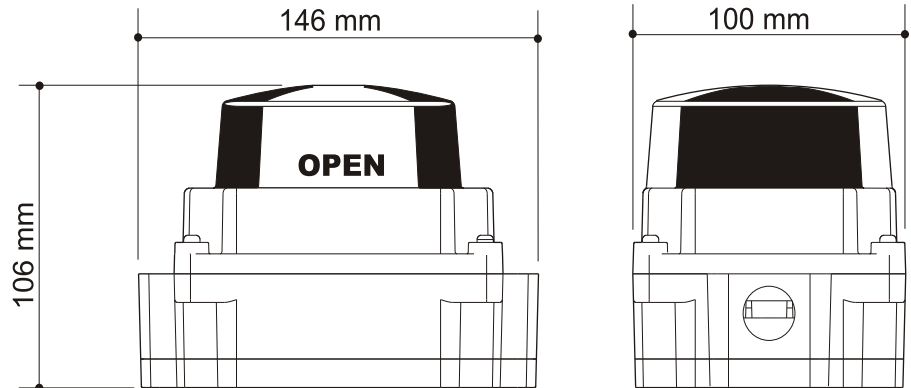


TWISTSET POSITION INDICATOR

WITH 2 WIRE POSITION TRANSMITTER

Data sheet: IP67 Switch Box with 2 wire position transmitter



Housing:

Materials: lid - Poly-Carbonate
body - ABS
shaft - Stainless Steel

Electrical Entries: 2 x M20 (PG 13.5 or 1/2" NPT)
Mounting: VDI/VDE3845 (NAMUR)
Enclosure: IP 67

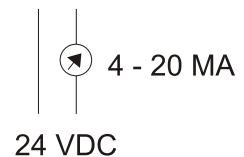
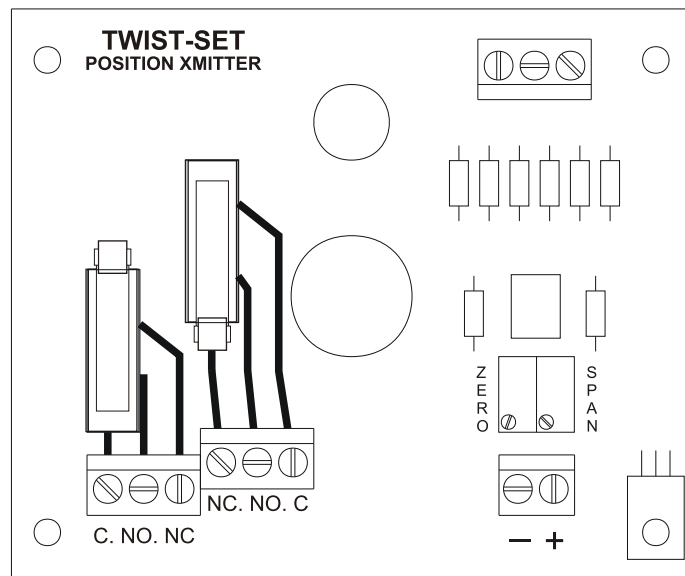
Position Transmitter:

The card has an output of 4-20 milli amps proportional to the position of the valve. Two trimmers are fitted to the board for the zero and span settings.

Options:

The transmitter can be supplied with two S.P.D.T. switches

Wiring Diagram:



TWISTSET

DRW NO.:

1.101

DATE:

ALL RIGHTS RESERVED

