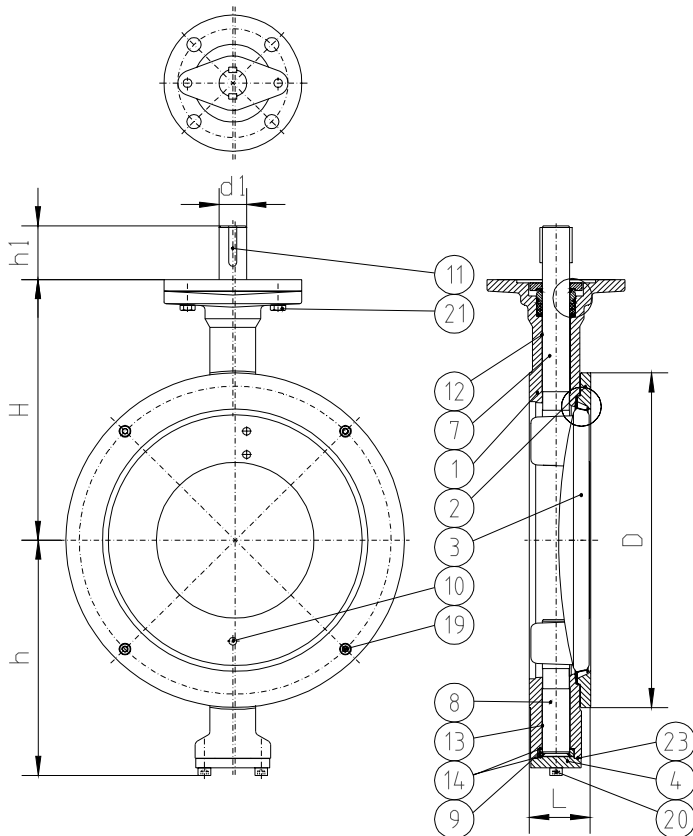


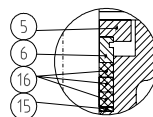
Butterfly valve



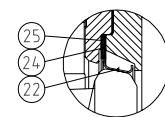
Parts

- | | |
|-------------------------|----------------------------------|
| 1. Body | CF-8M |
| 2. Counter flange | AISI316L, CF-8M |
| 3. Disc | W:no 4408 |
| 4. Subshaft cover | W:no 4401 |
| 5. Gland | AISI316L |
| 6. Shaft seal bushing | W:no 4401 |
| 7. Stem | W:no 4460 |
| 8. Subshaft | W:no 4460 |
| 9. Retaining ring | W:no 4401 |
| 10. Conical pin | W:no 4460 |
| 11. Key | St |
| 12. Stem bearing | PTFE+AISI316 (stellite) |
| 13. Subshaft bearing | PTFE+AISI316 (stellite) |
| 14. Bearing plate | PTFE+AISI316 (stellite) |
| 15. Back-up-ring | AISI316L |
| 16. Box packing | Graphite |
| 19. Socket screw | Stainless steel |
| 20. Socket screw | Stainless steel |
| 21. Hexagonal screw | Stainless steel |
| 22. Seat ring | FPM, EPDM, NBR,
PTFE, AISI316 |
| 23. Bottom cover gasket | SFS5811 carbon fibre |
| 24. Gasket | Graphite |
| 25. Gasket | Graphite |

41101



Seal alternative



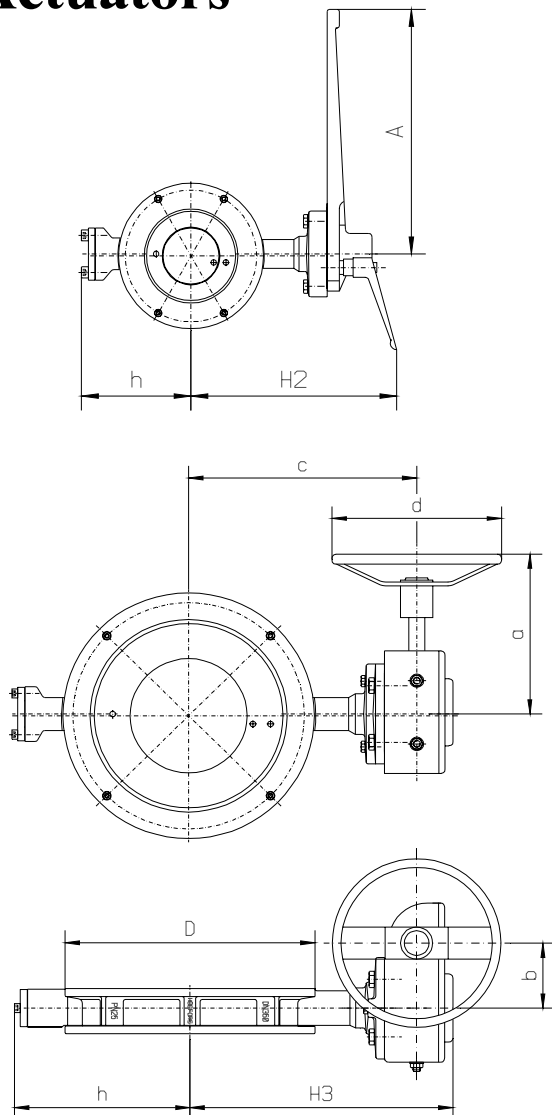
AISI 316
hard chromed

Dimensions

DN	L	D	h	H	h1	d1	Flange ISO5211	Weight*) kg
80	46	138	114	144	45	15	F07	6,2
100	52	158	131	168	52	20	F07	8,0
125	56	188	143	179	52	20	F07	9,8
150	56	212	160	199	58	25	F10	14,9
200	60	268	200	224	58	25	F12	29 ^{*)}
250	68	320	232	269	63	30	F12	38 ^{*)}
300	78	370	275	308	69	35	F14	54 ^{*)}
350	78	430	303	335	69	35	F14	67 ^{*)}
400	102	482	333	380	86	50	F16	118 ^{*)}
500	127	585	388	458	103	60	F16	198 ^{*)}
600	154	685	448	530	119	70	F25	337 ^{*)}

*) with manual gear

Butterfly valves Actuators



Butterfly valves are supplied with following actuator options:

- a lever or gear,
- electric, pneumatic or hydraulic actuators.

Hand lever

A lever is suitable for manual operation of small sizes of butterfly valves DN 80 to 200, except for valves with metal to metal seats, where gear and handwheel is used in size DN 200 and larger. The position of the disc can be firmly fixed in any position between open and closed by the locking device incorporated. The hand lever is supplied positioned crosswise to the pipe with the valve closed.

Dimensions

DN	h	H2	A
80	114	223	300
100	131	246	300
125	143	260	300
150	160	289	420
200	200	314	420

Manual gear

The valves are supplied with gearbox and handwheel. The disc position is shown by a mechanical indicator on the actuator.

Dimensions

DN	L	D	h	H3	a	b	c	d
80	46	138	114	204	218	45	171	200
100	52	158	131	228	218	45	195	200
125	56	188	143	239	218	45	206	200
150	56	212	160	286	220	71	240	200
200	60	268	200	311	220	71	265	200
250	68	320	232	356	255	71	310	300
300	78	370	275	398	291	86	350	400
350	78	430	303	425	291	86	377	400
400	102	482	333	501	387	130	435	500
500	127	585	388	579	387	130	513	500
600	154	685	448	689	500	263	589	500