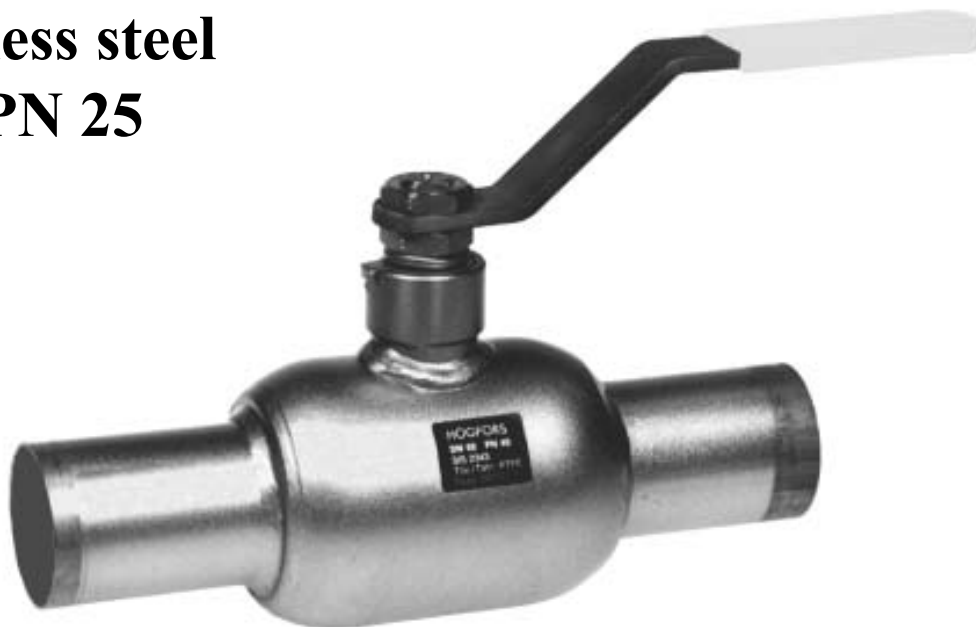


## Ball valve with NS-weld ends full bore of stainless steel PN 40, PN 25



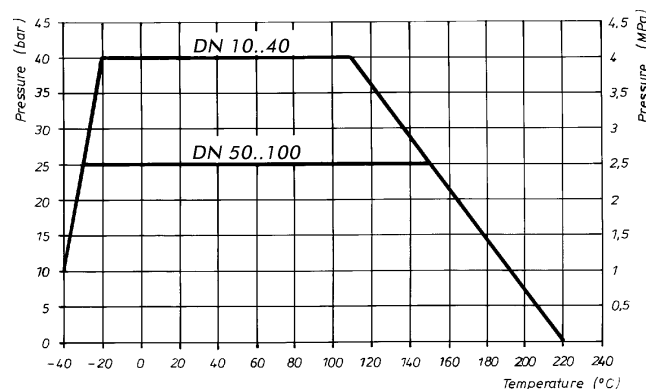
### Application

The ball valve is a tightly closing stop valve suitable for liquid and gas pipe systems. It is used, for example, in industrial piping.

**Nominal pressure** 40 bar DN 10 ... 40  
25 bar DN 50 ... 100

**Operating temperature** max +220 °C  
min -40 °C

**Maximum closing pressure difference** depends on the working temperature.



### Design

These valves have NS-weld ends, full bore and ball seals of PTFE.

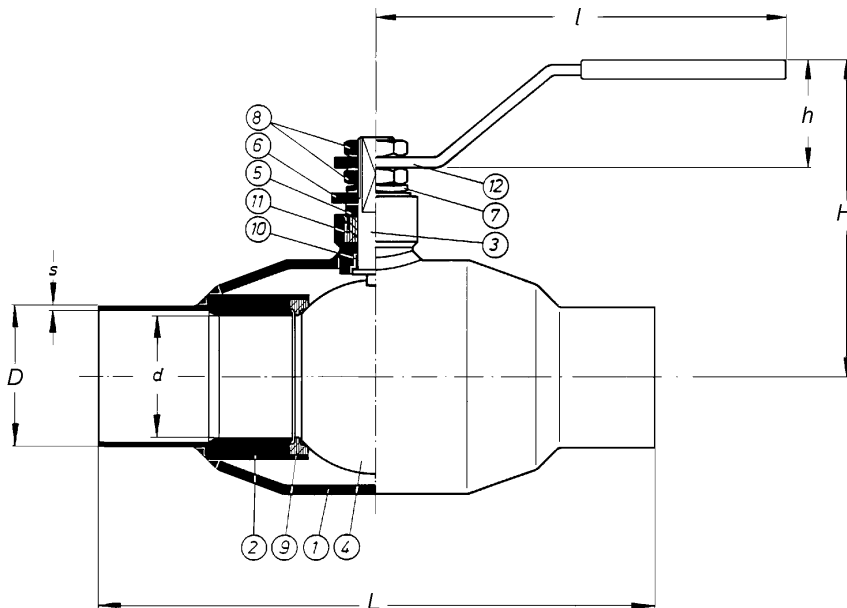
**Nominal sizes** DN 10...100

Conform with the requirements of the Council Directive 97/23/EC on Pressure Equipment, marking: **CE**<sub>0434</sub>

### Code number

477TS\_ \_ \_ with manual lever  
477TS\_ \_ \_ Z with bare shaft  
477TS\_ \_ \_ M with gear

## Ball valve with NS-weld ends



### Parts

- |                    |           |
|--------------------|-----------|
| 1. Body            | SIS 2343  |
| 2. Connecting pipe | SIS 2343  |
| 3. Stem            | W:no 4401 |
| 4. Ball            | SIS 2343  |
| 5. Spacer ring     |           |
| 6. Retaining plate |           |
| 7. Spring          |           |
| 8. Hexagonal nut   |           |
| 9. Ball seal       | PTFE+C    |
| 10. Bearing        | PTFE+C    |
| 11. Stem seal      | PTFE      |
| 12. Lever          |           |

### Dimensions

DN	PN	K <sub>v100</sub>	d	D	s	L	H	h	l	Weight kg
10	40	7	10	12	1,0	230	73	30	110	0,4
15	40	13	15	18	1,5	230	73	30	110	0,6
20	40	25	20	23	1,5	230	95	36	140	0,9
25	40	41	24	28	1,5	230	98	36	140	1,3
32	40	65	31	35	1,5	260	122	47	180	2,0
40	40	100	39	44,5	2,0	260	128	47	180	2,5
50	25	180	50	54	2,0	300	150	50	250	4,4
65	25	270	65	70	2,9	300	162	50	250	7,1
80	25	420	80	84	2,0	300	183	55	320	13
100	25	650	100	104	2,0	325	198	55	320	22