

Ball valve with flanges of stainless steel PN 40, PN 25, PN 16



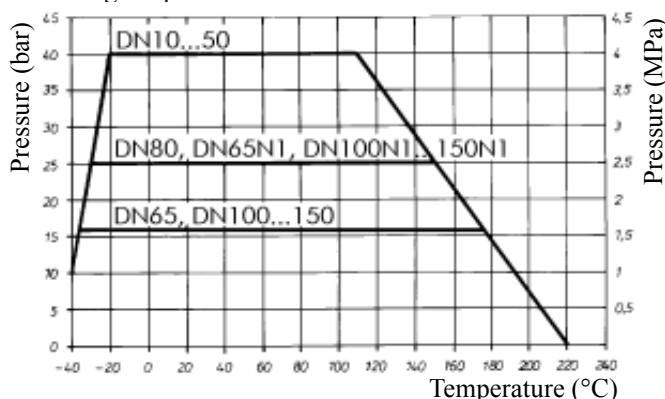
Application

The ball valve is a tightly closing stop valve suitable for liquid and gas pipe systems. It is used, for example, in industrial piping.

Nominal pressure 40 bar DN 10... 50
25 bar DN 80
16 bar DN 65, DN 100 ... 150
25 bar DN 65N1, DN 100N1 ... 150N1

Operating temperature max +220 °C
min -40 °C

Maximum closing pressure difference depends on the working temperature



Design

These valves are furnished with flanges, reduced bore and ball seals of PTFE. The stem is blow out proof.

Flange drilling according SFS 2123 = DIN 2501 PN 16
(to order SFS 2123 = DIN 2501 PN 25, PN40)

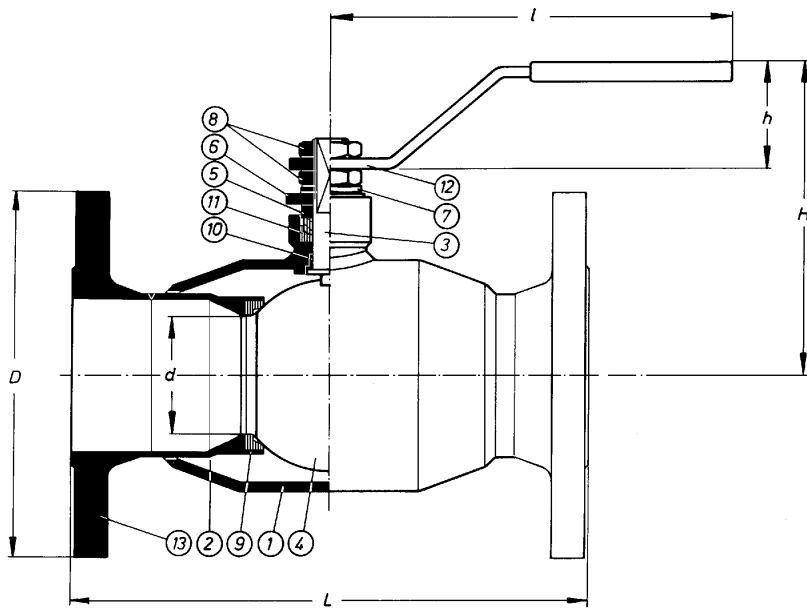
Nominal sizes DN 10 ... 150

Conform with the requirements of the Council Directive 97/23/EC on Pressure Equipment, marking: **CE**₀₄₃₄

Code number

445TS___ with manual lever (Flanges drilled PN 16)
445TS___Z with bare shaft (Flanges drilled PN 16)
445TS___M with gear (Flanges drilled PN 16)
445TS___N1 with manual lever (Flanges drilled PN 25)
445TS___Z1 with bare shaft (Flanges drilled PN 25)
445TS___M1 with gear (Flanges drilled PN 25)

Ball valve with flanges



Parts

- | | |
|--------------------|-----------|
| 1. Body | SIS 2343 |
| 2. Connecting pipe | SIS 2343 |
| 3. Stem | W:no 4401 |
| 4. Ball | SIS 2343 |
| 5. Spacer ring | |
| 6. Retaining plate | |
| 7. Spring | |
| 8. Hexagonal nut | |
| 9. Ball seal | PTFE+C |
| 10. Bearing | PTFE+C |
| 11. Stem seal | PTFE |
| 12. Lever | |
| 13. Flange | |

Dimensions

DN	PN		K _{v100}	d	D	s	D		L	H	h	l	Weight kg
		N1						N1					
10	40		7	10			90		130	73	30	110	2,0
15	40		8	10	21,3	1,6	95		130	73	30	110	2,0
20	40		13	15	26,9	1,6	105		150	73	30	110	2,6
25	40		25	20	33,7	2,0	115		160	95	36	140	3,3
32	40		41	24	42,4	2,0	140		180	98	36	140	4,7
40	40		65	31	48,3	2,0	150		200	122	47	180	6,0
50	40		100	39	60,3	2,0	165		230	128	47	180	7,9
65	16	25	180	50	76,1	2,0	185	185	270	150	50	250	9,6
80	25		270	65	88,9	2,6	200		280	162	50	250	13,3
100	16	25	420	80	114,3	2,6	220	235	300	183	55	320	19,0
125	16	25	650	100	139,7	2,6	250	270	325	198	55	320	27,0
150	16	25	950	125	168,3	3,4	285	300	350	240	56	600	42,0