

Ball valve with threaded ends of stainless steel PN 40, PN 25



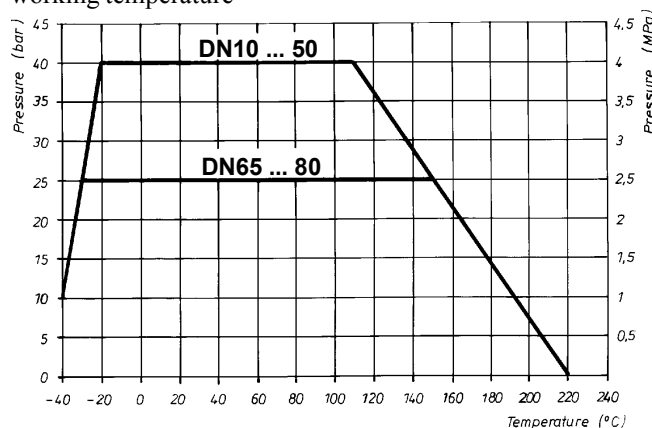
Application

This is a ball closing valve with perfect sealing, suitable for liquid and gas pipe systems, including industrial piping.

Nominal pressure 40 bar DN 10 ... 50
25 bar DN 65 ... 80

Operating temperature max +220 °C
min -40 °C

Maximum closing pressure difference depends on the working temperature



Design

The ball valve is furnished with threaded sockets, reduced bore and ball seals of PTFE

Nominal sizes DN 10 ... 80

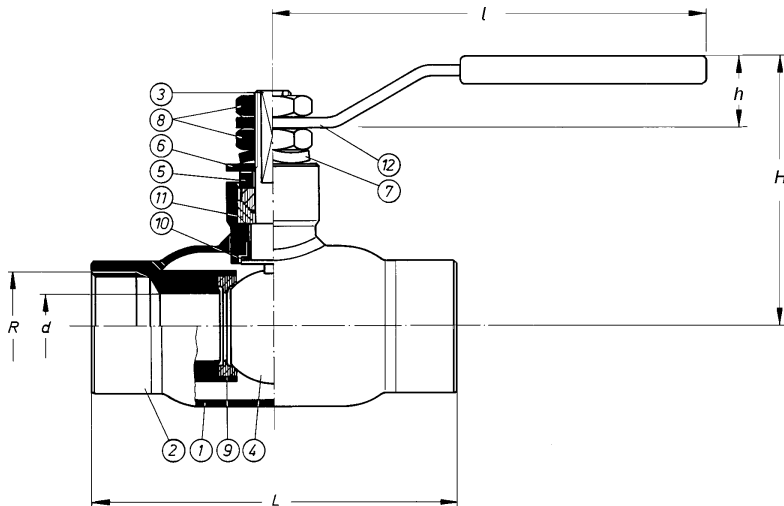
Conform with the requirements of the Council Directive 97/23/EC on Pressure Equipment, marking: **CE**₀₄₃₄

Code number

443TS_ _ _
443TS_ _ _Z

with manual lever
with bare shaft

Ball valve with threaded sockets



Parts

- | | |
|--------------------|-----------|
| 1. Body | SIS 2343 |
| 2. Threaded end | SIS 2343 |
| 3. Stem | W:no 4401 |
| 4. Ball | SIS 2343 |
| 5. Spacer ring | |
| 6. Retaining plate | |
| 7. Spring | |
| 8. Hexagonal nut | |
| 9. Ball seal | PTFE+C |
| 10. Bearing | PTFE+C |
| 11. Stem seal | PTFE |
| 12. Lever | |

Dimensions

DN	R	PN	K _{v100}	d	L	H	h	l	Weight kg
10	G 3/8	40	7	10	75	73	30	110	0,4
15	G 1/2	40	8	10	85	73	30	110	0,4
20	G 3/4	40	13	15	100	73	30	110	0,5
25	G 1	40	25	20	110	95	36	140	0,9
32	G 1 1/4	40	41	24	130	98	36	140	1,1
40	G 1 1/2	40	65	31	140	122	47	180	1,8
50	G 2	40	100	39	170	128	47	180	2,9
65	G 2 1/2	25	180	50	200	150	50	250	5,0
80	G 3	25	270	65	230	162	50	250	7,2