

Ball valve with threaded socket/ weld end of stainless steel PN 40, PN 25



Application

This is a ball closing valve with perfect sealing, suitable for liquid and gas pipe systems, including industrial pipework.

Nominal pressure 40 bar DN 10 ... 50
25 bar DN 65 ... 80


Operating temperature max +220 °C
min -40 °C

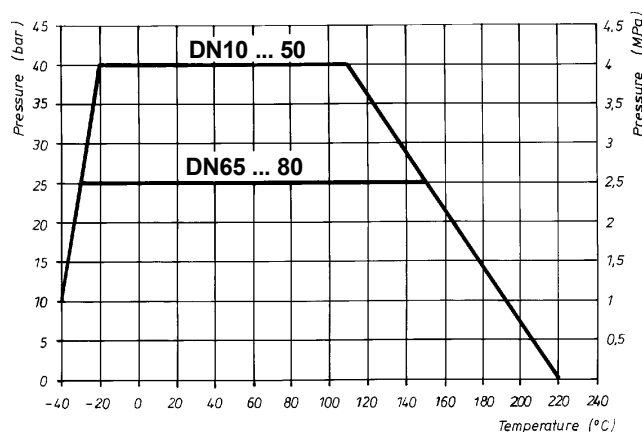
Maximum closing pressure difference depends on the working temperature

Design

The valve is furnished with a threaded socket and a weld end for connection to the pipeline. It has reduced bore and ball seals of PTFE

Nominal sizes DN 10 ... 80

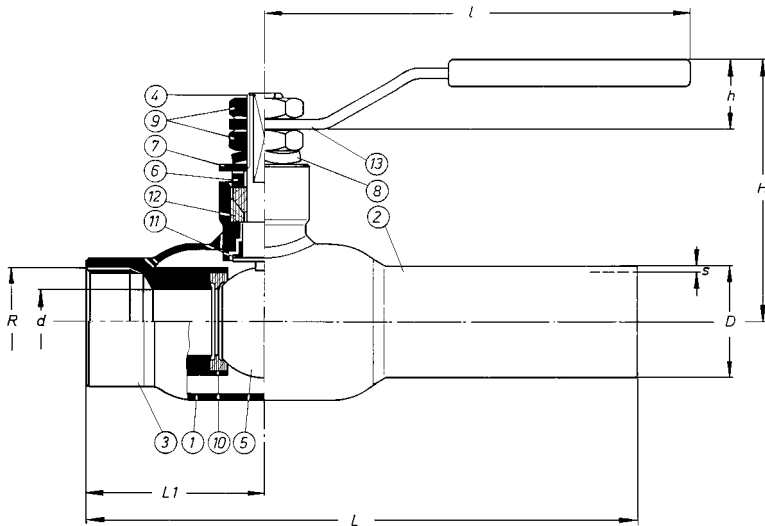
Conform with the requirements of the Council Directive 97/23/EC on Pressure Equipment, marking:  04.34



Code number

442TS _ _ _ _ with manual lever
442TS _ _ _ _ Z with bare shaft

Ball valve with threaded end/ weld end



Parts

1. Body	SIS 2343
2. Connecting end	SIS 2343
3. Threaded end	SIS 2343
4. Stem	W:no 4401
5. Ball	SIS 2343
6. Bushing	
7. Back stop plate	
8. Spring washer	
9. Hexagonal nut	
10. Ball seal	PTFE+C
11. Bearing	PTFE+C
12. Stem seal	PTFE
13. Lever	

Dimensions

DN	R	PN	K _{v100}	d	D	s	L	L1	H	h	l	Weight kg
10	G 3/8	40	7	10	17,2	1,6	152	37	73	30	110	0,4
15	G 1/2	40	8	10	21,3	1,6	157	42	73	30	110	0,4
20	G 3/4	40	13	15	26,9	1,6	165	50	73	30	110	0,5
25	G 1	40	25	20	33,7	2,0	170	55	95	36	140	0,8
32	G 1 1/4	40	41	24	42,4	2,0	195	65	98	36	140	1,1
40	G 1 1/2	40	65	31	48,3	2,0	200	70	122	47	180	1,8
50	G 2	40	100	39	60,3	2,0	235	85	128	47	180	2,5
65	G 2 1/2	25	180	50	76,1	2,0	250	100	150	50	250	4,1
80	G 3	25	270	65	88,9	2,6	265	115	162	50	250	6,7