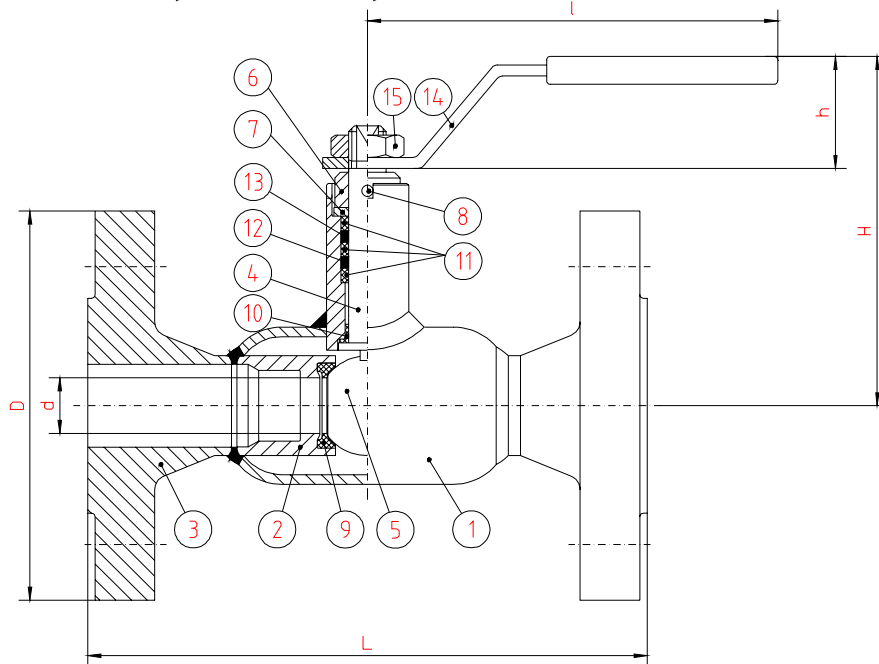
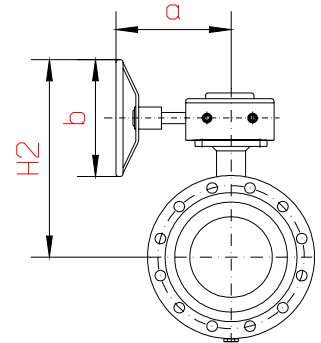


Ball valve of carbon steel PN 40, PN 25, PN 16



Parts

- | | |
|--------------------|--|
| 1. Body | St 37.0 |
| 2. Connecting pipe | St 37.0 |
| 3. Flange | St |
| 4. Stem | W:no 4305 |
| 5. Ball | W:no 4301 |
| 6. Retaining bush | |
| 7. Spring washer | DN 15 ... 80 |
| 8. Pin | |
| 9. Ball seal | PTFE+C |
| 10. Bearing | PTFE+C |
| 11. Back-up-ring | PTFE |
| 12. O-ring | EPDM |
| 13. O-ring | FPM |
| 14. Lever | DN 15 ... 80 St
DN100...150 GRP 400 |
| 15. Hexagonal nut | |



Dimensions

DN	PN		K _{v100}	d	D		L	H	h	l	a	b	H2	Flange	Weight
		NI			NI									ISO5211	kg
15	40		8	10	95		130	91	30	110	-	-	-		2,0
20	40		13	15	105		150	95	30	110	-	-	-		2,6
25	40		25	20	115		160	115	36	140	-	-	-		3,2
32	40		41	24	140		180	119	36	140	-	-	-		4,9
40	40		65	31	150		200	145	47	180	-	-	-		5,8
50	40		100	39	165		230	151	47	180	-	-	-		7,5
65	16	25	180	50	185	185	270	169	50	250	-	-	-		10,2
80	25		270	65	200		280	180	50	250	-	-	-		13,3
100	16	25	420	80	220	235	300	218	55	320	-	-	-		19
125	16	25	650	100	250	270	325	233	55	320	-	-	-		27
150	16	25	950	125	285	300	350	297	56	600	-	-	-		42
150	16	25	950	125	285	300	350	-	-	-	247	305	425	F12	53 ¹⁾
200	16	25	1700	150	340	360	400	-	-	-	247	305	445	F12	66 ¹⁾
250	16	25	2600	200	405	425	533	-	-	-	264	305	493	F14	116 ¹⁾
300	16	25	4500	250	460	485	610	-	-	-	362	457	609	F16	190 ¹⁾

Code number 34500TR___ with manual lever (Flanges drilled PN 16) ¹⁾ with manual gear
34500TR___Z with bare shaft (Flanges drilled PN 16)
34500TR___M with gear (Flanges drilled PN 16)
34500TR___N1 with manual lever (Flanges drilled PN 25)
34500TR___Z1 with bare shaft (Flanges drilled PN 25)
34500TR___M1 with gear (Flanges drilled PN 25)