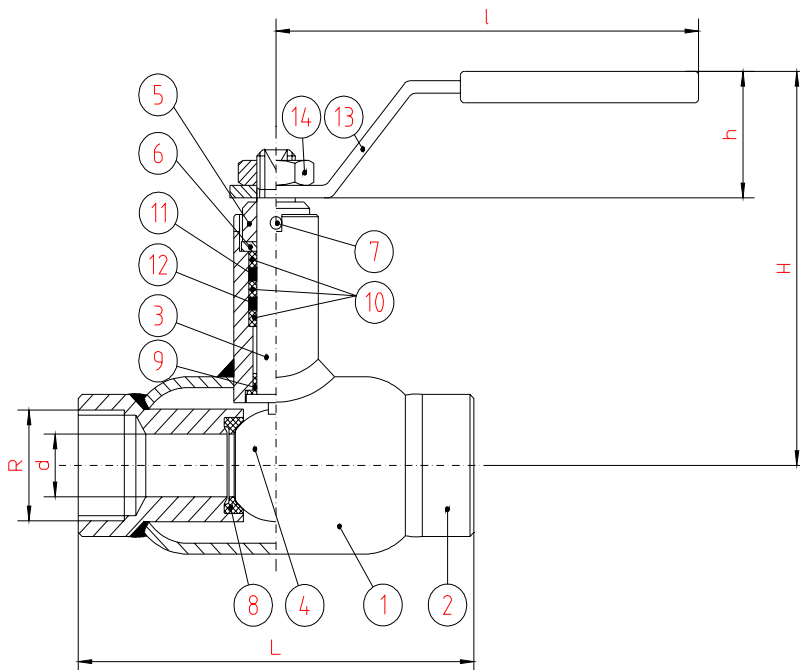


# Ball valve with threaded sockets of carbon steel PN 40, PN 25



### Parts

1. Body	St 37.0
2. Thread socket	St
3. Stem	W:no 4305
4. Ball	W:no 4301
5. Retaining bush	
6. Spring washer	
7. Pin	
8. Ball seal	PTFE+C
9. Bearing	PTFE+C
10. Back-up-ring	PTFE
11. O-ring	FPM
12. O-ring	EPDM
13. Lever	St
14. Hexagonal nut	

### Dimensions

DN	R	PN	Kv <sub>100</sub>	d	L	H	h	l	Weight kg
15	G 1/2	40	8	10	85	91	30	110	0,6
20	G 3/4	40	13	15	100	95	30	110	0,7
25	G 1	40	25	20	110	115	36	140	0,9
32	G 1 1/4	40	41	24	130	119	36	140	1,3
40	G 1 1/2	40	65	31	140	145	47	180	2,0
50	G 2	40	100	39	170	151	47	180	2,5
65	G 2 1/2	25	180	50	200	169	50	250	5,8
80	G 3	25	270	65	230	180	50	250	7,2

**Code number**    **34300TR** \_\_\_ with manual lever  
**34300TR** \_\_\_ **Z** with bare shaft