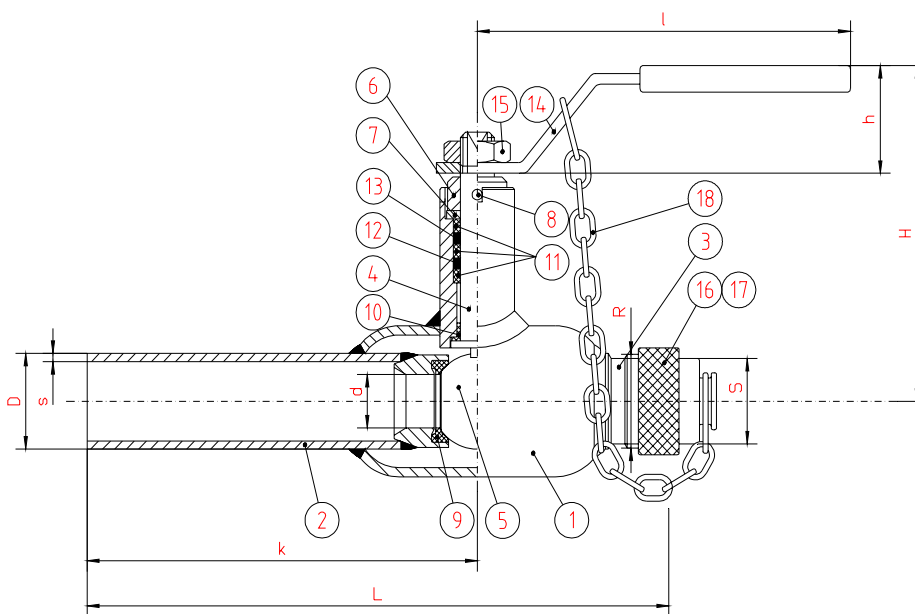


Ball valve of carbon steel weld end/ cap nut and chain PN 40



Parts	
1. Body	St 37.0
2. Connecting pipe	St 37.0
3. Thread socket	St
4. Stem	W.No. 4305
5. Ball	W.No. 4301
6. Retaining bush	
7. Spring washer	
8. Pin	
9. Ball seal	PTFE+C
10. Bearing	PTFE+C
11. Back-up ring	PTFE
12. O-ring	EPDM
13. O-ring	FPM
14. Lever	St
15. Hexagonal nut	
16. Cap nut	Ms
17. Gasket	
18. Chain	

Dimension

DN	d	D	s	R	L	k	H	h	l	S
15	10	21,3	2,0	G 3/4	167	115	91	30	110	2k-24
20	15	26,9	2,3	G 3/4	172	115	95	30	110	2k-24
25	20	33,7	2,6	G 1	175	115	115	36	140	2k-32

Code number: 34100TR__N5E
34100TR__N9E without cap nut and chain
unpainted weld end