

Drive inserts for FieldQ valve actuator

Description

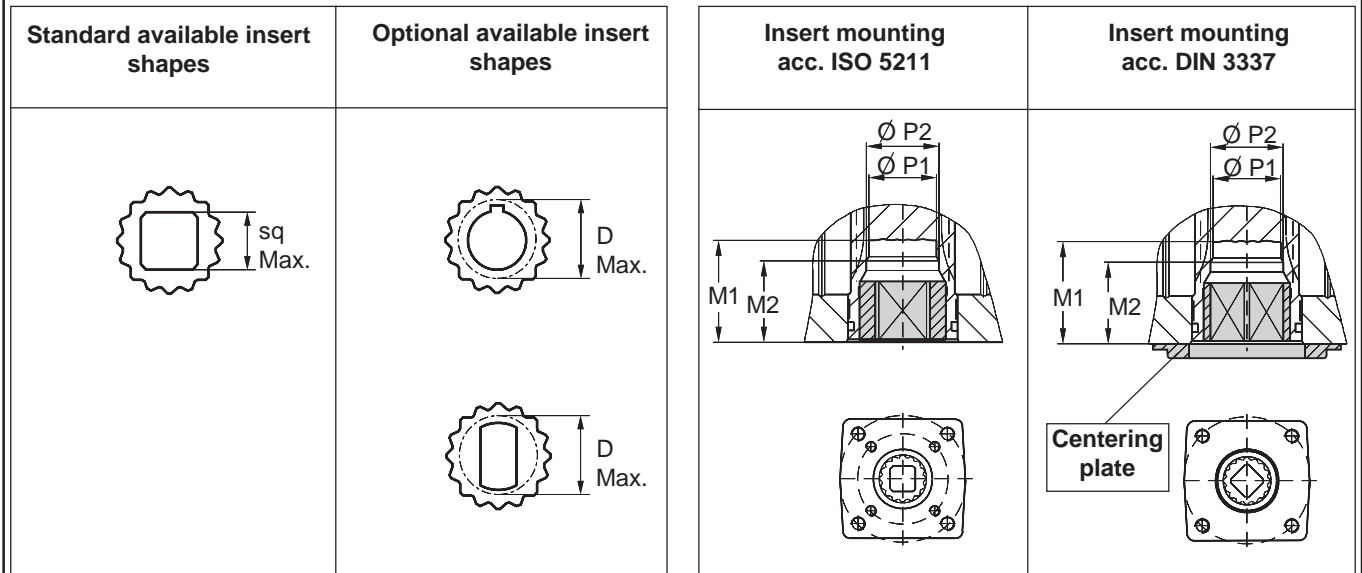
All actuators are fitted with drive inserts. This enables actuators to be directly mounted onto suitable valves and eliminates the need for a bracket and coupling type mounting kit. The use of direct mounts significantly cuts the cost of the valve/actuator assembly.

Standard actuators are fitted with square drive inserts in accordance with ISO 5211 (or DIN 3337), but a wide variety of other inserts are also available. Special inserts may have oversize or undersize squares, double-D and shaft key way forms.

Drive inserts can be supplied on factory built actuators or as loose items and are easily replaceable at distributor or end user level.

Where direct mounts are not possible, for instance on valves with exposed grand packing, the use of inserts often simplifies the design of the mounting kit.

Material : Aluminum alloy
Finish : Anodized



	Inserts with inner-square-dimensions per actuator type													
	Q40		Q100		Q200		Q350		Q600		Q950		Q1600	
	mm.	inch	mm.	inch	mm.	inch	mm.	inch	mm.	inch	mm.	inch	mm.	inch
Standard inserts dimensions														
ISO5211	14	0,551	19	0,748	22	0,866	27	1,063	27	1,063	36	1,417	46	1,811
DIN3337	14	0,551	17	0,669	22	0,866	22	0,866	27	1,063	36	1,417	46	1,811
Optional insert dimensions														
	10	0,394	12	0,472	14	0,551	14	0,551	14	0,551	22	0,866		
	12	0,472	14	0,551	16	0,63	16	0,63	16	0,63				
			16	0,63	17	0,669	17	0,669	17	0,669				
					19	0,748	19	0,748	19	0,748				
					24	0,945	24	0,945	24	0,945				
Maximum insert dimensions														
M1	34,5	1,36	34,5	1,36	50	1,97	50	1,97	52	2,05	64	2,52	82	3,23
M2	-	-	27	1,06	37	1,46	37	1,46	-	-	-	-	-	-
P1	18,1	0,71	23,1	0,91	32,1	1,26	32,1	1,26	36,5	1,44	48,5	1,91	60,5	2,38
P2	-	-	25,2	0,99	36,2	1,43	36,2	1,43	-	-	-	-	-	-
Sq max.	16	0,630	19	0,748	27	1,063	27	1,063	27	1,063	36	1,417	46	1,811
D max.	21	0,827	23,6	0,929	34	1,323	34	1,323	34	1,323	45	1,772	60	2,362