

**Ex**

**Flow**

**Level**

**Pressure**

**Temperature**

- Universal mounting on Transducers with 4-20 mA Output; Plug DIN 43 650
- No additional Power Supply required
- Easy to programming using Push Buttons
- Compact Sandwich construction
- Good Readability through LED-Display
- Option: Open-Collector-Output

KOBOLD offices exist in the following countries:

**ARGENTINA, AUSTRIA, BELGIUM, CANADA, CHINA,  
 FRANCE, GERMANY, GREAT BRITAIN, NETHERLANDS,  
 POLAND, SINGAPORE, SWITZERLAND, USA, VENEZUELA**

KOBOLD Messring GmbH  
 Nordring 22-24  
 D-65719 Hofheim/Ts.  
 ☎ (061 92) 299-0  
 Fax (061 92) 23398  
 E-mail: info.de@kobold.com  
 Internet: www.kobold.com

**Model:**  
**AUF-...**

**Description**

The model AUF-... plug-on display is a universal local display suitable for use with various transmitters. The transmitter must be fitted with an analogue output and a connector in accordance with DIN 43 650. Type AUF-2000 can be delivered for use in hazardous areas. The plug-on display is simply plugged in between connector and socket; it is then ready for operation. The plug-on display is user programmable. Scaling, the position of the decimal point, gate time and switch point (optional) may be set with two keys. The menu steps are output to the LED display field.

The plug-on display is supplied by the current loop of the 4–20 mA signal transmitter. No additional auxiliary power is required. The programmed parameters are stored in an EEPROM; they are therefore not lost after power failure. Over or under range are displayed as a message on the LED display. All device functions are continuously monitored by an integral diagnostic system. The indicating unit can be rotated in 90° steps; it can thus be adapted to different installation positions. The integral open-collector output, available as an option, allows a transmitter to be retrofitted easily with a limit contact.



**Technical Specifications**

- Display: 4-digit red LED display, Digit height: 7.62 mm Programmable decimal point setting
- Indicating range: -1999 to +9999
- Accuracy: 0.2% of span ± 1 digit
- Electrical connection: To transmitters with 4–20 mA output and plug acc. DIN 43 650 (4-pin), polarized
- Conversion rate: Three measurements/s, adjustable up to 25.5 / s max.
- Data back-up: Non-volatile EEPROM
- Error message: HI: overrange LO: underflow
- Programming: With two keys, menu-assisted, scaling of indication, decimal point, gate time, error message switch point (optional)
- Protection: IP 65
- Temperature influence on display: 0.1% / 10 K
- Storage temperature: -30...+80°C

**Technical Data AUF-1...**

- Sensor supply: Not required, 4–20 mA loop powered
- Max. current load: max. 60 mA
- Voltage drop: ≤ 5 V
- Case material: Plastic PA 6 GK30, window: PMMA
- Ambient temperature: 0...+60 °C
- Open collector: type AUF-1001, PNP, max. current load 90 mA

**Technical Data AUF-2000**

- Ambient temperature: 0...+60°C
- Conformance: BVS99.E.2037
- Ex-protection: EEx ib II C T4
- Voltage: Ui 28 VDC
- Current: Ii 100 mA
- Power: Pi 0.9 W
- Effective inner capacitance Ci negligible
- Effective inner inductance Li negligible
- Housing material: Polyamide window: PMMA
- Ambient temperature: -20...+40°C

**Order Details**

Model	Description
AUF-1000	Standard plug-on display
AUF-1001	Plug-on display with open collector
AUF-2000	Plug-on display EEx ib IIC T4

**Scope of supply**

Plug-on display, flat gasket ring, fixing screw, operating instruction, stickers with physical units.

**Application Examples**

**Flow**



- Calorimetric flow meter
- Turbine flow meter with analogue output
- Vortex flow meter

**Pressure**



- Pressure sensors
- Manometer with analogue output

**Level**



- Level transmitter
- Bypass level indicator with transmitter

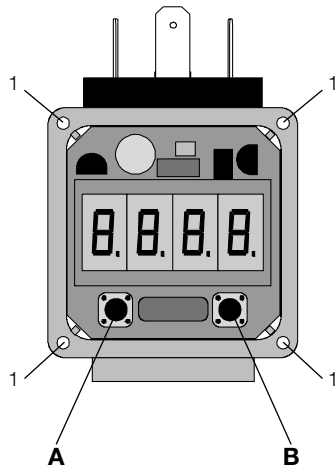
**Temperature**



- Temperature sensors with head mounted transmitter

**Adjustment**

For adjustment, the 4 screws of the display should be unscrewed and the cover removed.

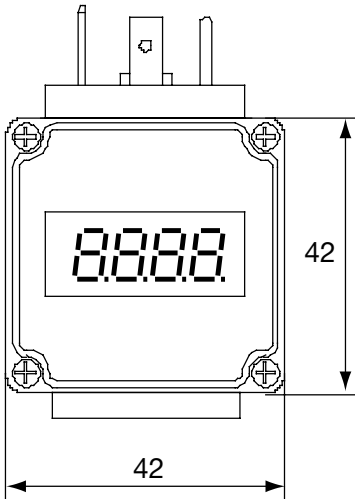


- Simple programming through keys A and B
- Free scaling of display value
- Software oriented adjustment of the decimal point
- Adjustable gate time of the display
- Recognition of overranging
- freely programmable set-point adjustment (option)

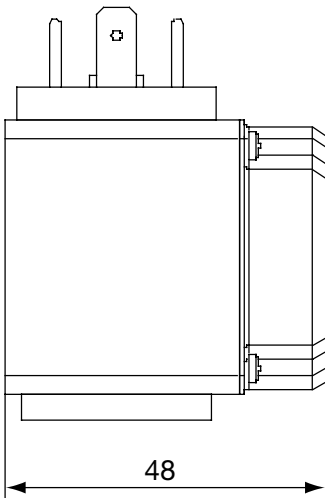


**Dimensions**

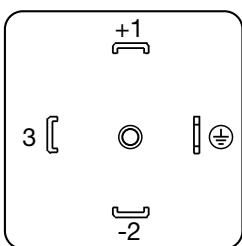
**Front view**



**Side view**



**Electrical connection**



UB+ = PIN 1  
 0V = PIN 2  
 Switching output = PIN 3

In case of devices with open collector-output, the O/P is between PIN 2 and 3.

**Accessory**

For mounting of the plug-on display on devices with PG-connection, different adapters are available. The adapter is simply screwed in the existing PG-cable gland and wired to the device. At the opposite side of the adapter, is a plug according to DN 43650, on which the sandwich display can be simply plugged on.



**Ordering data**

Ordering data	Description
AUF-PG11	for fitting in a PG-11 cable gland
AUF-PG13	for fitting in a PG-13.5 cable gland
AUF-PG16	for fitting in a PG-16 cable gland

**Further options for OEM applications**

(on request)

- Generic version
- Housing black or blue
- Company logo
- Client-specific adjustment
- Client-specific switching hysteresis

By Usage of model AUF-2000 in hazardous areas, an intrinsically safe current power supply transmitter should be used and being rectified with the electrical data of the connected sensor.

