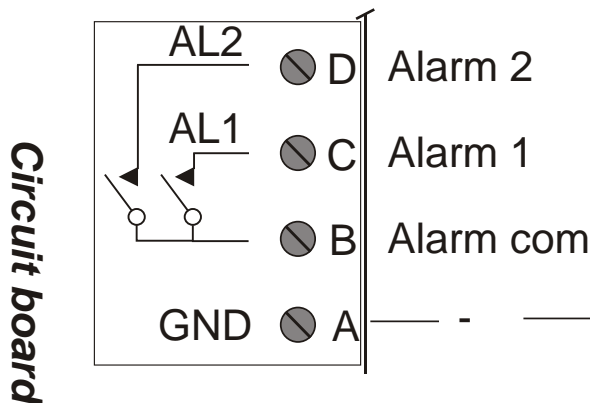


OPTION 3004P

One Setpoint Alarm (Solid State Relay)

- Solid state relay 400 VAC or DC at 0.5A (PF=1)
- Electro Mechanical Relay 250VAC-30VOC at 2A
- Change over NO and NC contact with one Com.
- This option board slots into the top of the meter. Use the top terminal row.
- Visual alarm LED on front panel.
- User adjustable from the front keypad.
- Alarm setpoint NO, NC, Hi, Lo delayed turn on Hysteresis.

Note: Interposing relays recommended for heavy duty applications.



P O Box 418, Honeydew 2040 South Africa
21 Precision Street, Kyaland Randburg.
Telephone: +27 11 462-1920
Telefax: +27 11 462-1958
email: info@instrotech.co.za
web: www.instrotech.co.za

