

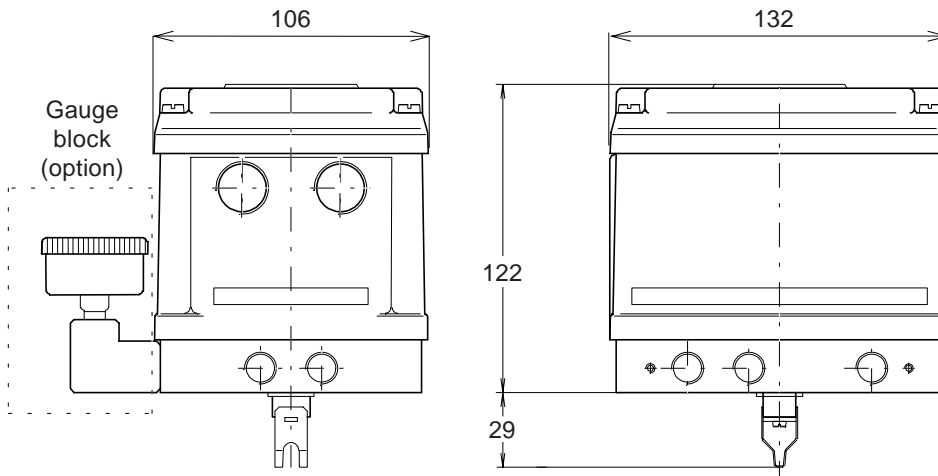
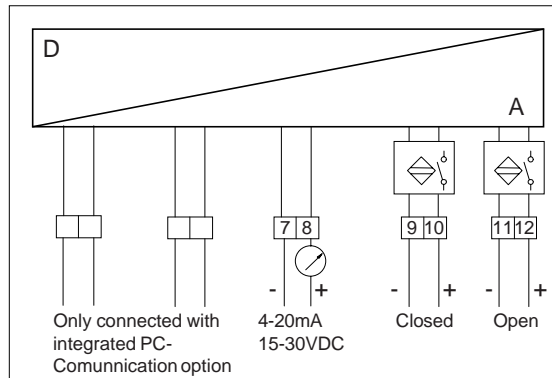
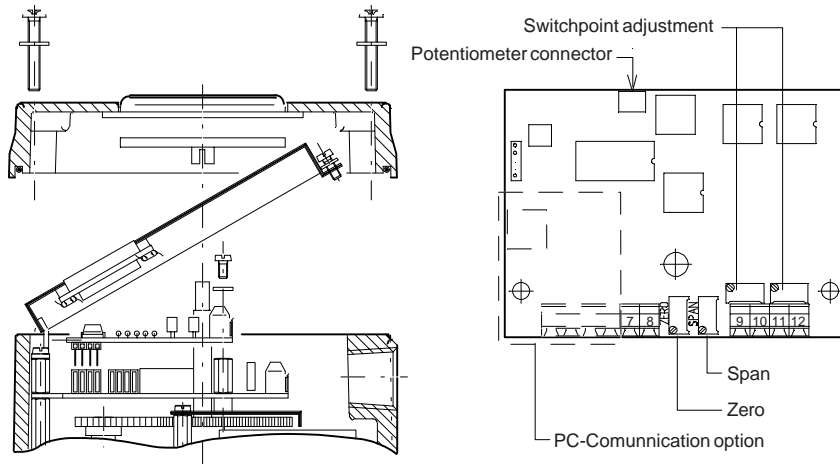
Subject to change without notice

VALVE AUTOMATION
SYSTEMS

INTERNATIONAL
ELE-O-MATIC[®]

Nr.:
6.203.1
All rights reserved

Date:
Jan. '00



Description:

The PTP control option combines the function of a position transmitter and two end of stroke indication switches. The position transmitter provides a continuous 4-20 mA. output signal in proportion to the mechanical position of the positioner.

The two switches simulate the function of two 2 wire inductive proximity switches and as they are electronic they provide an exceptionally "clean" output signal. Two potentiometers are available to set the "open" and "closed" position. A separate potentiometer, which is driven by the positioner spindle, indicates the mechanical position.

The PTP card slots into a standard F40 positioner. On the card there are two potentiometers for zero and span adjustment. These two adjustments are not interrelated, so you do not need to adjust the range after adjusting the span.

The circuit board is intrinsically safe EEx ib and as such may be used in Zones 1 and 2, with all gas groups. Three separate intrinsically safe circuits are required for the three output signals.

Construction:

The PTP module is a single card assembly and is added to the basic positioner by plugging it into the main positioner circuit board situated underneath the hinged key pad.

Control options are fully modular so that combinations of position transmitters and switch modules can be assembled as required.

Specification:

- Entries : 2 x Pg 13.5 (options M20, 1/2" NPT)
- Voltage : Position Transmitter : 15-30 V DC (external)
- : Switches : 8 -24 V DC (external)
- Temp. : -20° to +60°C

		Terminal
Output	1. Position Transmitter, 4-20 mA.	7,8
	2. End of stroke switch, closed.	9,10
	3. End of stroke switch, open.	10,11

- Housing : Aluminium Alloy
- Finish : Polyester powder coated

Identification:

Factory Option : Add "+PTP" to the basic positioner number.
ie. F40+PTP.

Option:

CPC : PC-communication.

POSIFLEX POSITIONER WITH POSITION TRANSMITTER

PTP