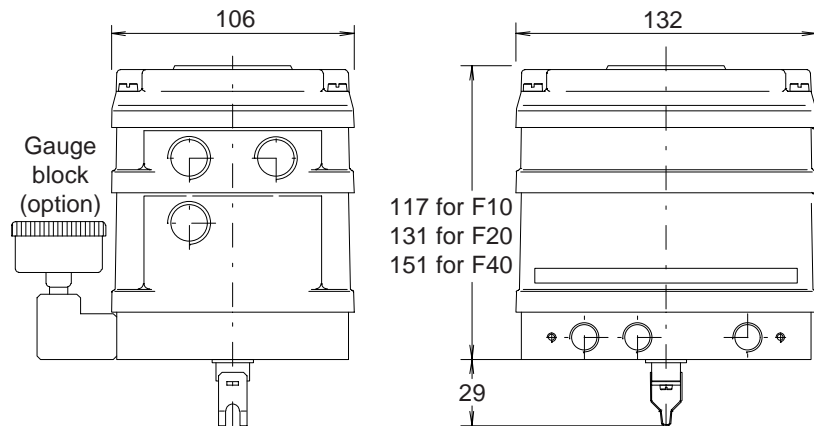
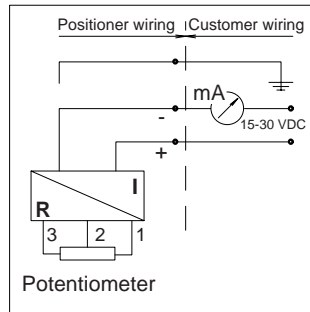


Pos.	Qty.	Description
14	1	Position transmitter module
25	4	Spacer standoff screws



* Valid for CCW-direction, in case of CW-direction the marking is changed.

Description

The PT2 position transmitter provides a continuous 4-20 mA output signal in proportion to the mechanical position of the positioner. The two wire function is independent from the input signal and has a separate electrical entry.

PT2 position transmitters may be used with Posiflex F10, F20 or F40 positioners and are available as kit or factory options.

The position transmitter module (14) is pre-assembled with its circuit board (10) and has a potentiometer, trimmers for zero and range adjustments and terminals (27) for the external power supply. A jumper is provided to select for linear or rotary applications.

Construction

The PT2 module is assembled to the basic positioner by inserting it between the base housing and the cover. The positioner indicator spindle provides the drive for the potentiometer.

Specification

- Entries : 2x Pg 13.5 (options M20, ½" NPT)
- Voltage : 15 - 30 VDC. (external)
- Temperature : -20° C to +80° C
- Output : 4 - 20 mA
- : With full range adjustment for zero and range
- : Provision for reverse acting
- Housing : Aluminium Alloy
- Enclosure : IP54 (Option IP65)
- Finish : Polyester powder coated

Identification

- Factory option : Add '+PT2' to the basic positioner number.
- : ie. F10+PT2.
- Kit option : PT2-F10.

Option

- Explosion proof (class EEx ib IIC T6)