

Subject to change without notice

VALVE AUTOMATION SYSTEMS

ELCO-MATIC[®] INTERNATIONAL

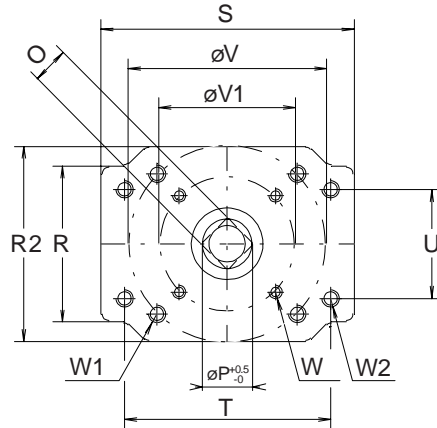
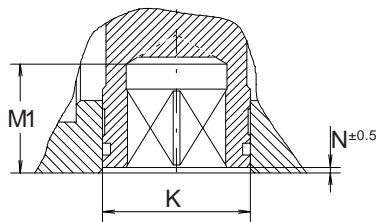
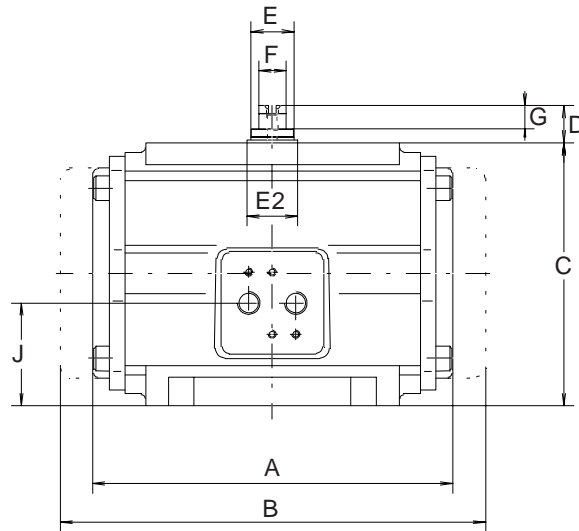
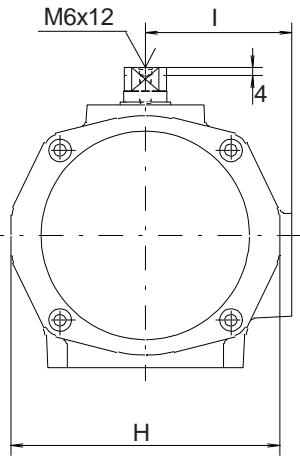
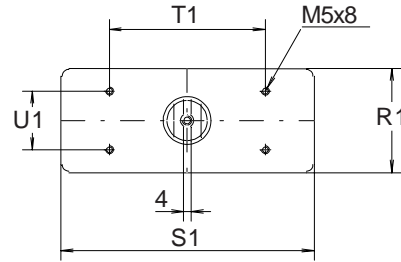
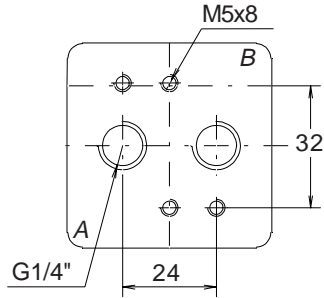
Nr.:

1.203.011

All rights reserved

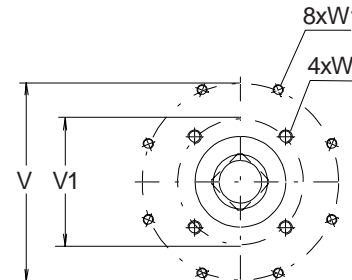
Date:

Febr. '99



Dimension in mm.	ACTUATOR TYPE								
	E12	P60	P150	P280	P500	P750	P1100	P2500	P4000
A DA	161	185	232	270	282	340	378	502	
B SR	182	216	311	352	380	475	570	834	
C	101	135	159	189	232	245	356	380	
D	20	20	20	30	30	30	30	30	
E	16	22	26	36	36	45	55	64	
E2	23	30	35	45	45	55	65	80	
F	10	14	14	19	19	30	36	36	
G	12	12	12	19	19	10	10	10	
H	101	135	172	192	240	250	350	380	
I	58	75	89	109	134	135	183	200	
J	43	53	69	95	116	125	178	190	
K	28	38	48	56	56	75	85	120	
M1	27	27	31	38	38	51	66	77	
N	1	1	1.5	1.5	1.5	2.5	3	1.5	
O max.	14.11	17.13	22.13	27.13	27.13	36.16	46.16	55.19	
O min.	14.00	17.00	22.00	27.00	27.00	36.00	46.00	55.00	
P	18.1	25.2	28.2	36.2	36.2	48.2	60.2	72.2	
R	60	80	100	110	140	140	170	170	
R1	50	60	70	80	100	120	160	160	
R2	70	100	-	-	-	-	-	262	
S	110	130	140	160	210	210	290	290	
S1	110	130	140	140	160	210	245	245	
T	-	-	-	130	180	180	234.6	-	
T1	80	80	80	130	130	130	130	130	
U	-	-	-	80	92	92	97.2	-	
U1	30	30	30	30	30	30	30	30	
V1/V	50/70	70/102	70/102	102/125	102/125	-/140	-/165	165/254	
W	M6x10	M8x13	M8x13	M10x16	M10x16	-	-	M20x30	
W1	M8x13	M10x16	M10x16	M12x20	M12x20	M16x25	M20x30	M16x25	
W2	-	-	-	-	-	-	M16x25	-	

For E12 dimensions see 1.103.102



P4000 only

Note:

1. Flange and square drive to DIN 3337
2. Top and Solenoid flange to VDI/VE 3845 (NAMUR)
3. 120° or 135° rotation is possible with optional L1/LF-option. See datasheet 1.503.01

DIMENSION SHEET STANDARD 180° ACTUATOR

P